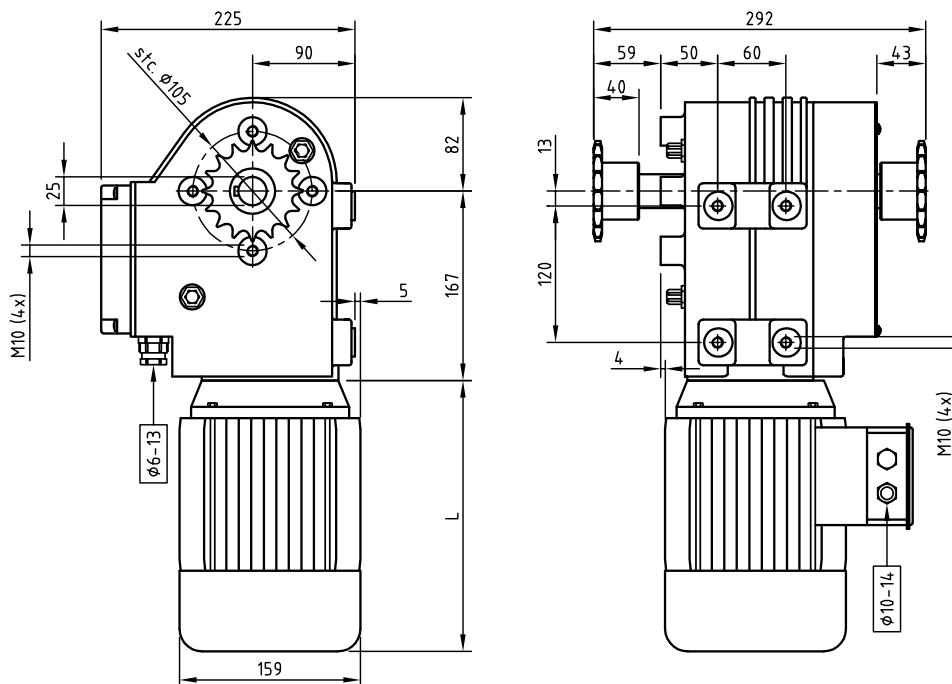


The GW40, with chain couplings on the driven shaft, has a number of applications, such as the hoisting of feeder or drink lines and the opening of vents.

As a standard the GW40 is fitted with a chain coupling set with a duplex chain according to DIN chain number 10B-2. The sprocket wheel joint is available for 1", 5/4" or 2" drive tubes. Attachment of the motor gearbox is possible at the side or base. The electric motor's protection category is IP55, according to EN60529.

The GW40 can optionally be fitted with a tube-bolt chain coupling set for 1" or 5/4" drive tubes. Electric motors with different voltages and/or frequencies, or a higher protection class, for instance tropic winding, are available on request.



Description	T [Nm]	50Hz				60Hz				L [mm]	m [kg]
		P [kW]	U [V]	I [A]	n [rpm]	P [kW]	U [V]	I [A]	n [rpm]		
GW40-1.3, 400V, 3~	400	0,25	230/400	1,5/0,8	1,3	0,31	255/440	1,5/0,8	1,6	220	28
GW40-2.6, 400V, 3~	400	0,37	230/400	1,7/1,0	2,6	0,44	255/440	1,7/1,0	3,1	220	30
GW40-5.2, 400V, 3~	400	0,55	230/400	2,6/1,5	5,2	0,65	255/440	2,6/1,5	6,3	220	30
GW40-1.3, 230V, 1~	400	0,37	230	3,2	1,3	-	-	-	-	220	28
GW40-2.6, 230V, 1~	400	0,55	230	4,8	2,6	-	-	-	-	238	33
GW40-5.2, 230V, 1~	400	0,75	230	6,0	5,2	-	-	-	-	238	34

The table below lists the article numbers for the GW40 motor gearboxes, depending on the drive tube and the chain coupling set, including the chain and the sprocket wheel joint, supplied as standard.

Description	DIN chain number	Number of teeth on sprocket wheel	Drive tube	Article number
GW40-1.3, 400V, 3~	10B-2	16	1"	P.GW40.400.13.K100
GW40-1.3, 400V, 3~	10B-2	16	5/4"	P.GW40.400.13.K125
GW40-1.3, 400V, 3~	10B-2	16	2"	P.GW40.400.13.K200
GW40-2.6, 400V, 3~	10B-2	16	1"	P.GW40.400.26.K100
GW40-2.6, 400V, 3~	10B-2	16	5/4"	P.GW40.400.26.K125
GW40-2.6, 400V, 3~	10B-2	16	2"	P.GW40.400.26.K200
GW40-5.2, 400V, 3~	10B-2	16	1"	P.GW40.400.52.K100
GW40-5.2, 400V, 3~	10B-2	16	5/4"	P.GW40.400.52.K125
GW40-5.2, 400V, 3~	10B-2	16	2"	P.GW40.400.52.K200
GW40-1.3, 230V, 1~	10B-2	16	1"	P.GW40.230.13.K100
GW40-1.3, 230V, 1~	10B-2	16	5/4"	P.GW40.230.13.K125
GW40-1.3, 230V, 1~	10B-2	16	2"	P.GW40.230.13.K200
GW40-2.6, 230V, 1~	10B-2	16	1"	P.GW40.230.26.K100
GW40-2.6, 230V, 1~	10B-2	16	5/4"	P.GW40.230.26.K125
GW40-2.6, 230V, 1~	10B-2	16	2"	P.GW40.230.26.K200
GW40-5.2, 230V, 1~	10B-2	16	1"	P.GW40.230.52.K100
GW40-5.2, 230V, 1~	10B-2	16	5/4"	P.GW40.230.52.K125
GW40-5.2, 230V, 1~	10B-2	16	2"	P.GW40.230.52.K200