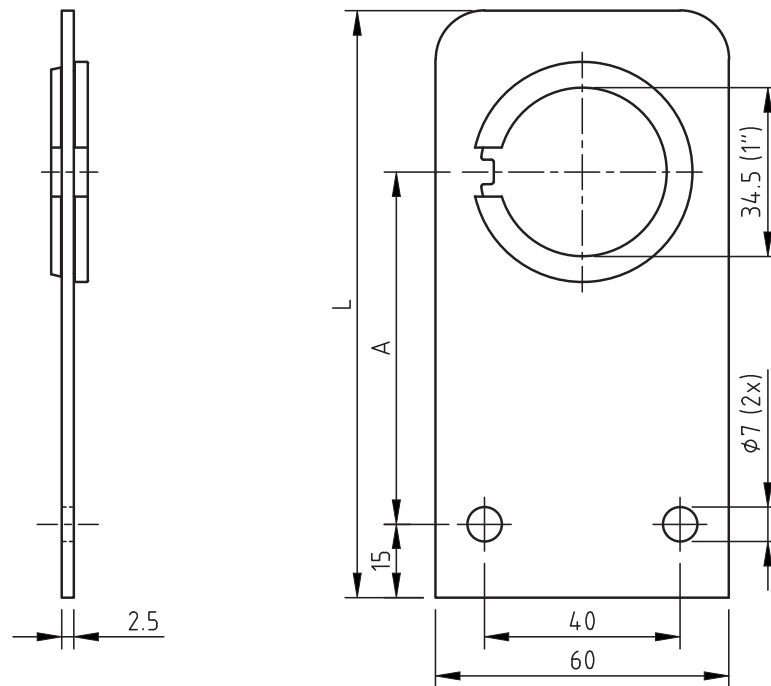


The straight 1" slide bearing plates support and guide the drive tubes.

The sendzimir galvanised bearing plate has a sinter bronze slide bearing ring.

Right angled 1" slide bearing plates are also available. Both types are also available for 5/4" drive tubes.

Other lengths are available on request.



Description	A [mm]	L [mm]	m [g]	Article number
Slide bearing plate 1", straight	52	100	122	P.GL100.R.L100
Slide bearing plate 1", straight	72	120	138	P.GL100.R.L120
Slide bearing plate 1", straight	92	140	154	P.GL100.R.L140
Slide bearing plate 1", straight	102	150	164	P.GL100.R.L150
Slide bearing plate 1", straight	152	200	234	P.GL100.R.L200
Slide bearing plate 1", straight	172	220	250	P.GL100.R.L220