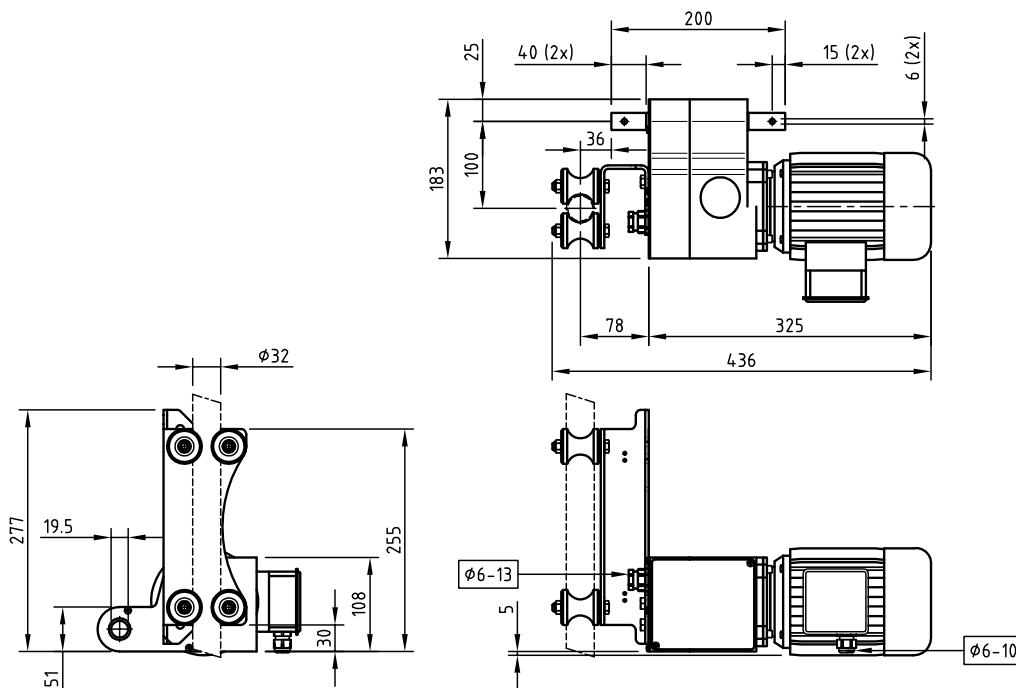


The GXP10 coupling piece T has a number of applications, such as roll screen systems and side roll ventilation systems. The “T” version is better suited to humid environments.

The GXP10 has a double drive shaft of $\varnothing 19.5$ mm and can be attached to a roll tube of $\varnothing 32$ mm or $\varnothing 50$ mm by means of a coupling. A $\varnothing 32$ mm tube can guide the system. The electric motor protection category is IP55, according to EN60529.

Electric motors with different voltages and/or frequencies are available on request.

Standard executed with couplings for $\varnothing 50$ mm tube and with guidance for $\varnothing 32$ mm tube.



Description	T [Nm]	50Hz				60Hz				m [kg]
		P [kW]	U [V]	I [A]	n [rpm]	P [kW]	U [V]	I [A]	n [rpm]	
GXP10-4.0, 400V, 3~	100	0,18	230/400	1,2/0,7	4,0	0,22	255/440	1,2/0,7	4,8	11,0
GXP10-4.0, 230V, 1~	100	0,22	230	3,1/1,8	4,0	0,26	255/440	3,1/1,8	4,8	11,0

The table below lists the article numbers of the GXP10 motor gearboxes, depending on the roll-tube dimension.

Description	Roll-up tube	Article number coupling	Article number
GXP10-4.0, 400V, 3~ tropical winding	-	-	P.GXP10.400.40.KBS.T
GXP10-4.0, 400V, 3~ tropical winding	Ø32x1.5	P.KBS32.01.D19	P.GXP10.400.40.KBS32.T
GXP10-4.0, 400V, 3~ tropical winding	Ø50 single track	P.KBS50.01.D19	P.GXP10.400.40.KBS50.T
GXP10-4.0, 230V, 1~ tropical winding	-	-	P.GXP10.230.40.KBS.T
GXP10-4.0, 230V, 1~ tropical winding	Ø32x1.5	P.KBS32.01.D19	P.GXP10.230.40.KBS32.T
GXP10-4.0, 230V, 1~ tropical winding	Ø50 single track	P.KBS50.01.D19	P.GXP10.230.40.KBS50.T

Electric motors with tropical winding are adjusted to operating in high humidity surroundings.

