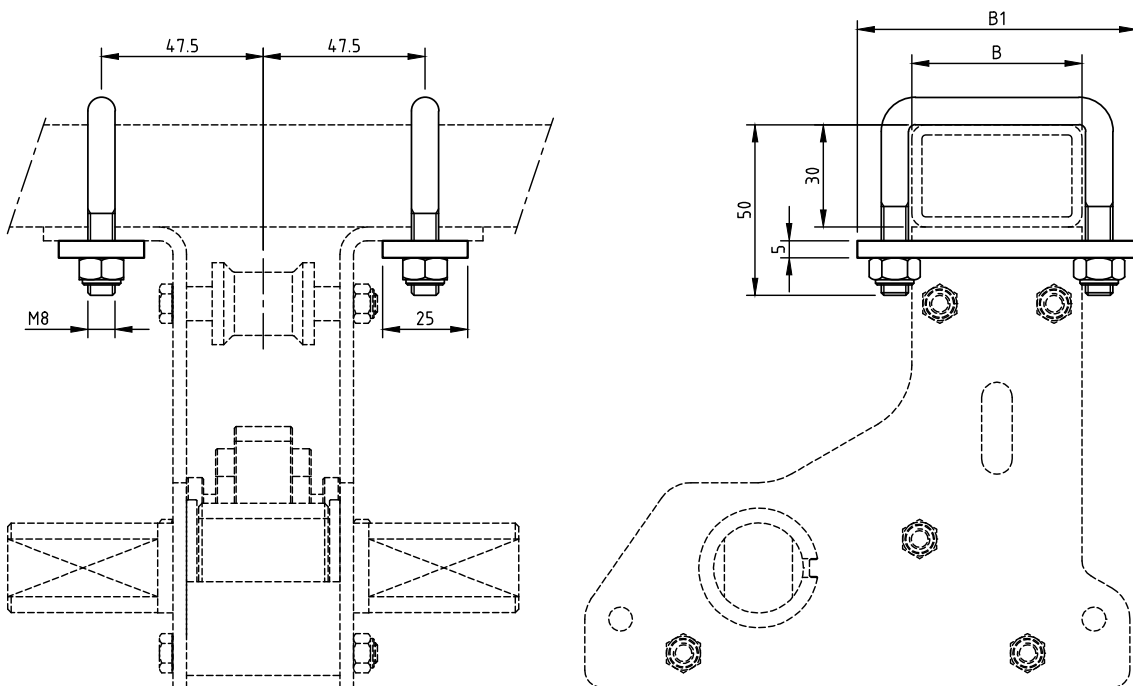




The clamping set THG40 is used to fasten the THG40 rack box under the truss.

The clamping set consists of two M8 U-brackets with corresponding M8 lock nuts and galvanised clamping plates.

Clamping sets for other truss dimensions are available on request.



Description	B [mm]	B1 [mm]	m [g]	Article number
THG40 rack box clamping set 50 mm	50	82	180	P.THG40.KBL.50
THG40 rack box clamping set 60 mm	60	92	180	P.THG40.KBL.60