

# 7

## COUPLINGS

### 7.6

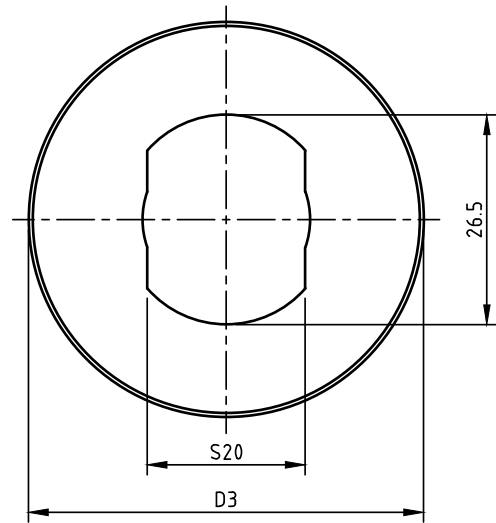
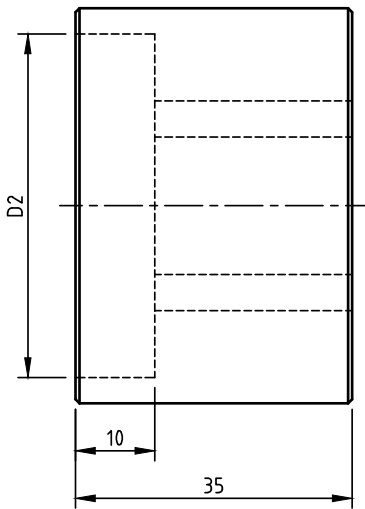
## SLEEVE JOINT COUPLING



The sleeve joint coupling connects the entry shaft of a rack box or gearbox with the drive tube of a ventilation or screen system.

The sleeve joint coupling is available for 1" or 5/4" drive tubes. The hole for the connection with the rack box is suited for a flat ends shaft with a jaw opening of 20 mm.

Sleeve joint couplings for 5/4" prefab shafts are also available.



Description	Db [-]	D2 [mm]	D3 [mm]	m [g]	Article number
1" sleeve joint coupling - THG	1"	34.5	40	200	P.SLK100
5/4" sleeve joint coupling - THG	5/4"	43.5	50	350	P.SLK125