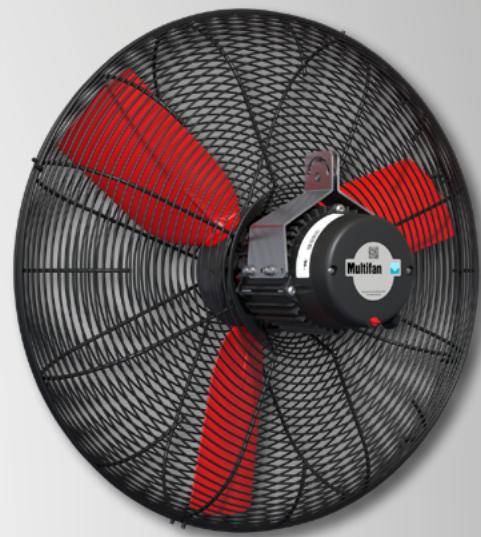
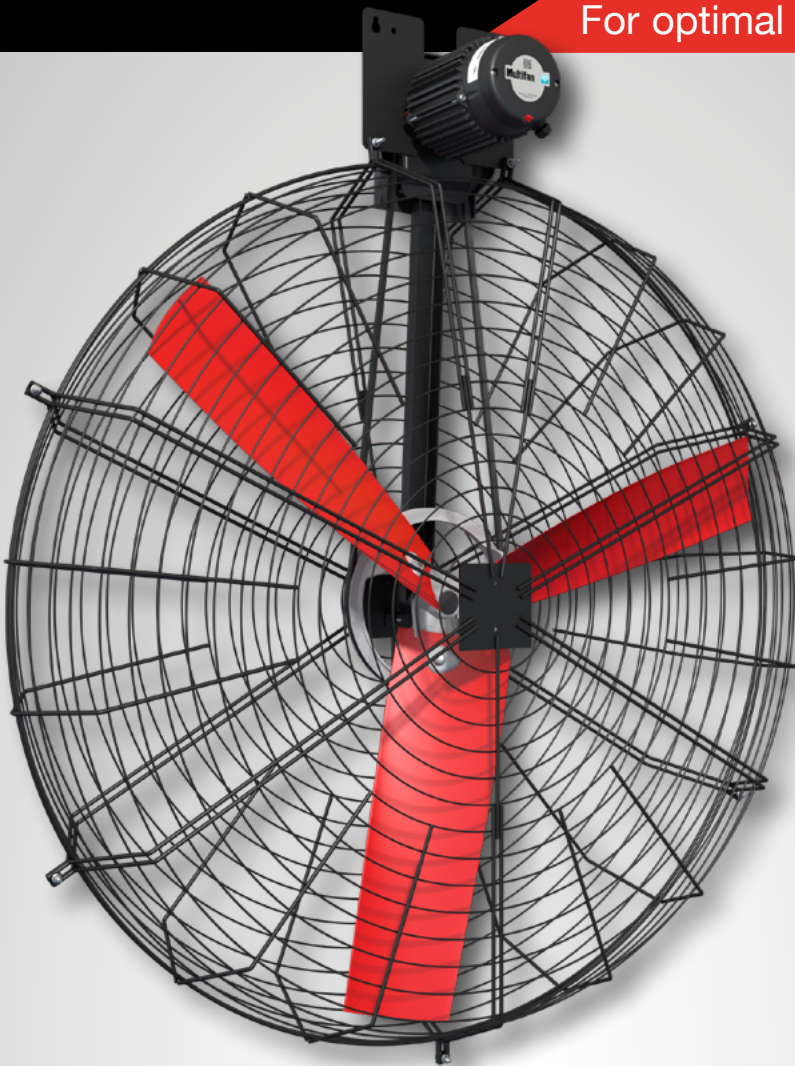


# Multifan



## Basket Fans

For optimal circulation and a refreshing breeze



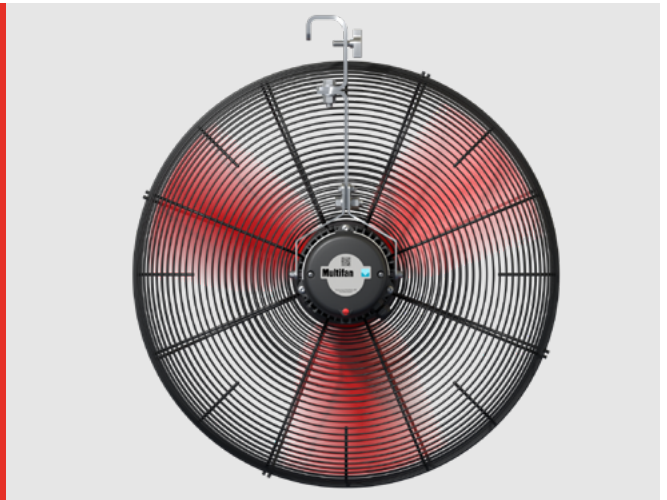
**VOSTERMANS**  
VENTILATION

YOUR SPECIALIST IN AIR

# Multifan Basket Fans

## For optimal air circulation

With the extensive program of Multifan Basket Fans, we offer a wide range of energy efficient circulation fans for the agricultural, horticultural and industrial markets. Compared to other circulation fans, the Basket Fans cover a wider area. This is ideal for creating a uniform indoor climate, or to create a wind chill effect for livestock and employees during hot summers. In industrial applications, the basket fans ensure an optimal performance of the production line by cooling products down faster and more gradually.



## Why choose this fan

- Most powerful air circulation and distribution
- Easy to manage at low costs
- Easy installation
- Easy maintenance
- 3-year warranty on the motor



## Features

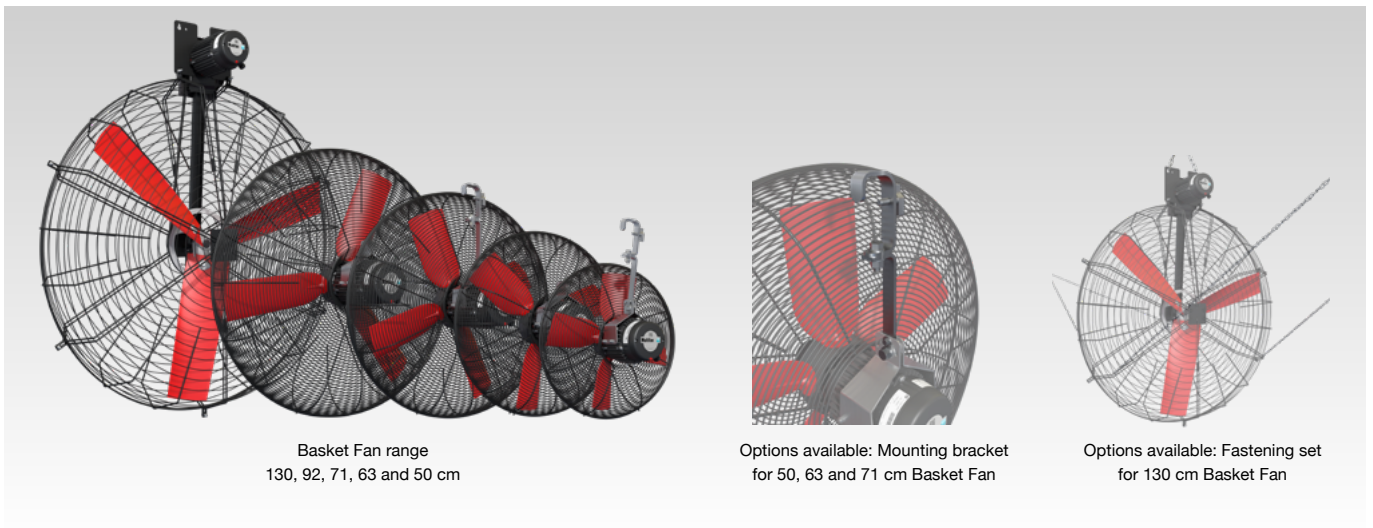
- Available range: 50, 63, 71, 92 and 130 cm
- High level of air movement: up to 46.300 m<sup>3</sup>/h at 0 Pa
- High throw: up to 142 meters
- Frequency and transformer controllable
- High efficiency: up to 15,7 Watt /1000 m<sup>3</sup>/h
- Low noise
- IP55 motor (water and dust resistant)
- CE-wire guards for 50, 63, 71 and 92 cm Basket Fans

## Applications

- Agricultural: Pigs, Poultry and Dairy
- Horticultural: Greenhouses
- Industrial

## Options available

- 130 cm Basket Fan fastening set for easy installation (2 chains, 7 meters each and fastening hooks)
- Mounting brackets for 50, 63 and 71 cm Basket Fans



Basket Fan range  
130, 92, 71, 63 and 50 cm

Options available: Mounting bracket  
for 50, 63 and 71 cm Basket Fan

Options available: Fastening set  
for 130 cm Basket Fan

## Technical data single-phase

Article	ø (cm)	Power supply			(n) RPM	P <sub>in</sub> (W)	I <sub>nom</sub> (A)	Q <sub>v</sub> (m <sup>3</sup> /h) *	Throw (m) **	SFP @0Pa (W/1000m <sup>3</sup> /h)	dB(A) ***	Control options ****
		~	V	Hz								
K4E50AAM111100	50	1~	230V	50Hz	1.420	260	1,2	5.050	40	51,5	53	E / T
K4E50KOM611100	50	1~	120V	60Hz	1.675	265	2,4	7.425	60	35,7	-	E / T
K4E50KAM111100	50	1~	230V	60Hz	1.700	260	1,2	5.700	45	45,6	57	E / T
K6E6320M111100	63	1~	230V	50Hz	905	420	2,1	9.350	58	44,9	-	E / T
K6E63KOM611100	63	1~	120V	60Hz	1.115	270	2,6	9.660	60	27,9	-	E / T
K6E63K1M111100	63	1~	230V	60Hz	1.110	260	1,2	9.970	61	26,1	-	E / T
K6E71A0M111100	71	1~	230V	50Hz	935	430	2	14.650	81	29,3	64	E / T
K6E71KOM611100	71	1~	120V	60Hz	1.130	460	4,2	14.395	80	32	-	E / T
K6E71K1M611100	71	1~	230V	60Hz	1.130	480	2,1	14.615	81	32,8	-	E / T
K6E92A0M111100	92	1~	230V	50Hz	905	605	2,7	22.500	98	26,9	72	E / T
K8E92K0M111100	92	1~	230V	60Hz	835	640	3,1	22.150	97	28,9	69	E / T
K4E13A0M111100	130	1~	230V	50Hz	505	1.100	5,3	46.300	142	23,8	61	-
K4E13K0M111100	130	1~	240V	60Hz	505	1.050	4,7	46.000	142	22,8	62	-

## Technical data three-phase

Article	ø (cm)	Power supply			(n) RPM	P <sub>in</sub> (W)	I <sub>nom</sub> (A)		Q <sub>v</sub> (m <sup>3</sup> /h) *	Throw (m) **	SFP @0Pa (W/1000m <sup>3</sup> /h)	dB(A) ***	Control options ****
		~	V (Δ / Y)	Hz			Δ	Y					
K4D50AAM111100	50	3~	230/400V	50Hz	1.380	260	0,9	0,5	4.950	39	52,5	54	T / F
K6D6310M111100	63	3~	230/400V	50Hz	900	520	2,2	1,3	13.700	83	38	-	T / F
K6D71A0M111100	71	3~	230/400V	50Hz	915	490	2,3	1,3	13.800	77	35,5	-	T / F
K6D71KOM111100	71	3~	220/380V	60Hz	1.120	420	1,7	1	14.400	80	29,2	-	T / F
K6D92A0M111100	92	3~	230/400V	50Hz	915	605	2,3	1,3	22.650	98	26,7	72	T / F
K8D92K0M111100	92	3~	240/420V	60Hz	835	620	3,1	1,8	22.050	97	28,1	69	T
K4D13B1M111100	130	3~	230/400V	50Hz	425	630	2,5	1,4	40.100	123	15,7	55	T / F
K4D13A1M111100	130	3~	230/400V	50Hz	505	1.050	4,1	2,4	45.965	141	22,8	-	F
K4D13K1M11200	130	3~	240/420V	60Hz	505	1.150	3,7	2,2	45.800	141	25,1	62	F

\* Electrical and air technical data are performed according AMCA standard 230-99

\*\* Throw is the distance at which the peak velocity of the jet has fallen to 0,5 m/s (measured in an infinite room without obstructions)

\*\*\* Sound pressure level (LpA) at 7 meter distance from the center of the fan

\*\*\*\* Transformer Voltage Control (T), Frequency Control (F), Electronic / Triac / Solid State Voltage Control (E)

## Dimensions (mm)

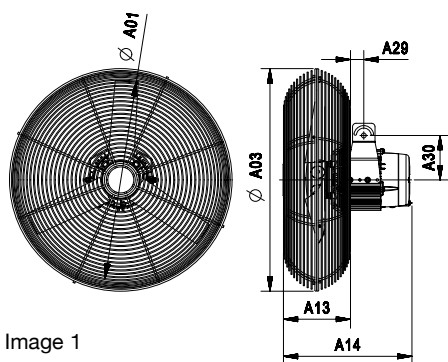


Image 1

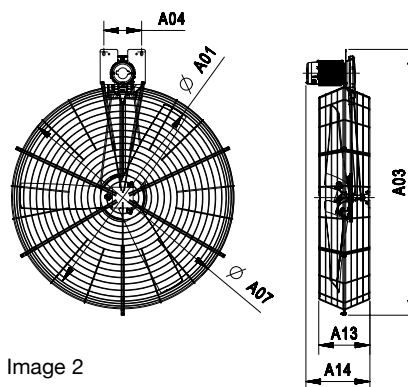


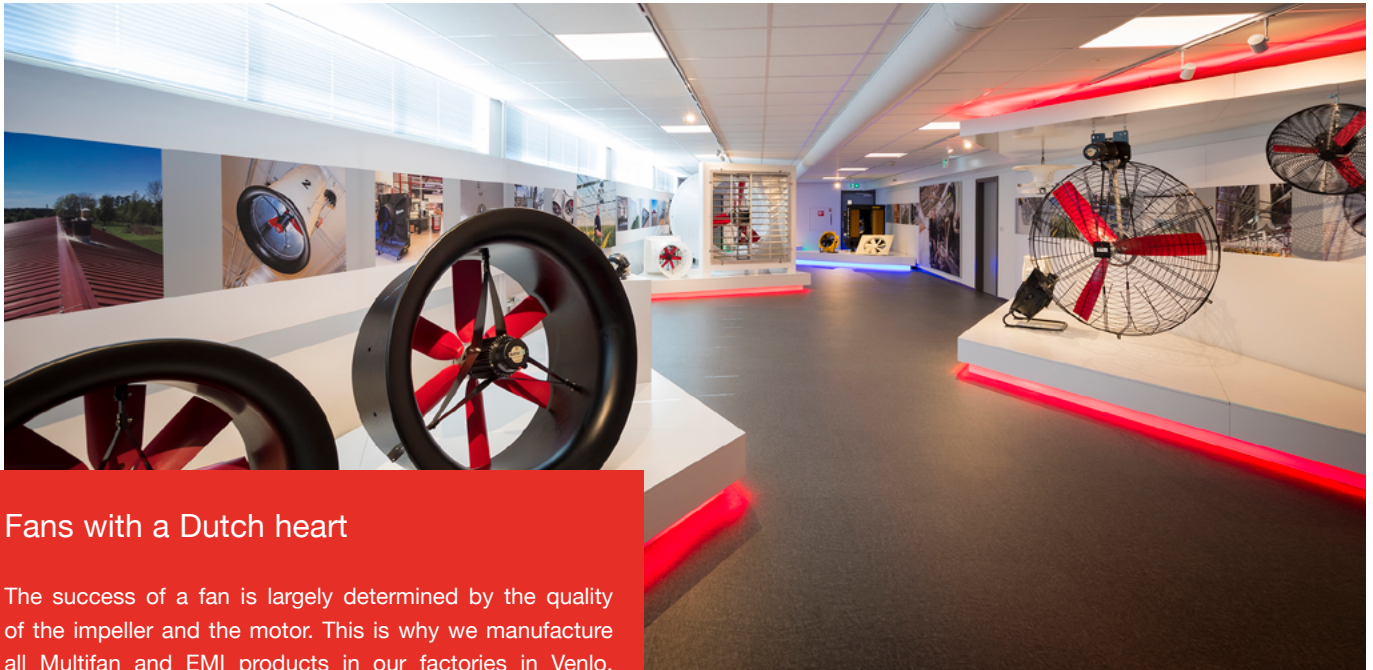
Image 2

ø (cm)	Image	A01	A03	A04	A07	A13	A14	A29	A30
50	1	512	575	-	-	174	332	34	115
63	1	610	683	-	-	206	350	32	115
71	1	709	830	-	-	230	413	29	115
92	1	905	983	-	-	254	425	29	115
130	2	1284	1662	236	1390	320	400	-	-

## Service

As a family business, we believe it is important to build long-term relationships with our customers. That is why we attach great importance to our customers being helped quickly and effectively when a problem arises. The QR code on the back of the fan motor is an ideal tool for this. By scanning this QR code, you get insight into the most important fan specifications and a list of spare parts.

In addition, we offer many extras online to support you. This includes specific product information and our online product selector, in which you can select the right fan for your specific situation. You can always contact us via [www.vostermans.com/contact](http://www.vostermans.com/contact) with questions, or follow us through our social media channels to stay up to date with the latest news.



## Fans with a Dutch heart

The success of a fan is largely determined by the quality of the impeller and the motor. This is why we manufacture all Multifan and EMI products in our factories in Venlo, the Netherlands. It also allows us to further develop the manufacturing process efficiently and guarantee the highest quality standards. Because we get large fan components, such as the housing, from the customer's region, we are able to keep the price of our fans as competitive as possible.

### Why choose Vostermans Ventilation:

#### LOYAL TO YOU

We care for your specific needs based on our long expertise. In close cooperation with you we secure your business outcomes.

#### RELIABLE

Since our foundation in the Netherlands in 1952, we maintain our reputation as reliable partner. Our carefully selected global network of independent distributors strive to deliver you dedicated service and expertise.

#### FUTURE PROOF

Our future proof approach, which combines energy efficiency solutions with robust quality and rigorous testing, is based on a genuine commitment to serve as a trusted partner.

Vostermans Ventilation is a global developer and manufacturer of sustainable axial fans for the agricultural and industrial market. Sustainability is key for Vostermans. Their premium brandlines Multifan and EMI are showcasing the drive for advanced energy efficient fans. The company applies continuous innovation and research in their own motor production facility and in house state of the art R&D department. Vostermans Ventilation, part of Vostermans Companies founded in 1952, is based in Venlo, the Netherlands and operates in USA, China and Malaysia.



YOUR SPECIALIST IN AIR

All rights reserved. Vostermans Companies is not responsible for inaccurate or incomplete data. In case of any questions and / or remarks please contact [ventilation@vostermans.com](mailto:ventilation@vostermans.com). Subject to alterations 03/2022

Venlo - The Netherlands  
Tel. +31 (0)77 389 32 32  
[ventilation@vostermans.com](mailto:ventilation@vostermans.com)

Bloomington, IL- USA  
Tel. +1 309 827-9798  
[ventilation@vostermansusa.com](mailto:ventilation@vostermansusa.com)

Tmn Klang Jaya - Malaysia  
Tel. +60 (0)3 3324 3638  
[ventilation@vostermansasia.com](mailto:ventilation@vostermansasia.com)

Shanghai - China  
Tel. +86 21 5290 2889/2899  
[ventilation@vostermanschina.com](mailto:ventilation@vostermanschina.com)