

1

MOTOR GEARBOXES



1.8

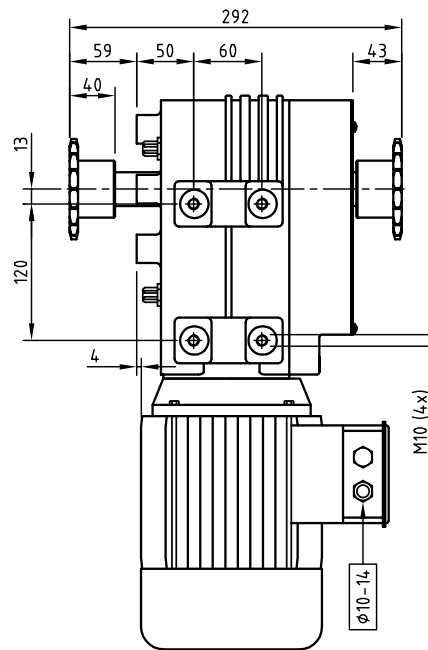
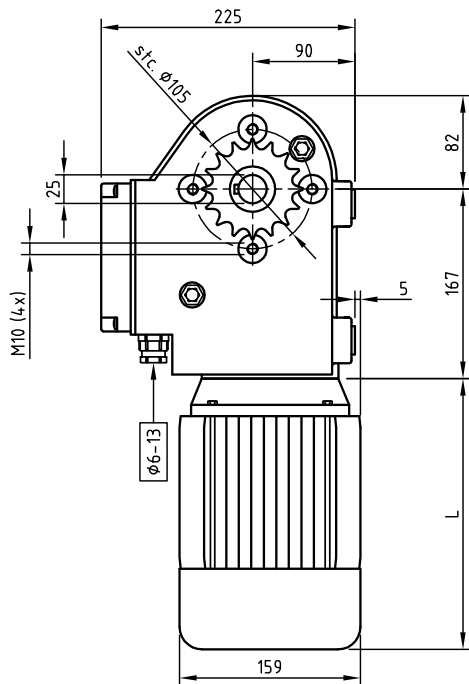
GW40 CHAIN COUPLING



The GW40, with chain couplings on the driven shaft, has a number of applications, such as driving for ventilation or screening systems.

As a standard the GW40 is fitted with a chain coupling set with a duplex chain according to DIN chain number 10B-2. The sprocket wheel joint is available for 1", 5/4" or 2" drive tubes. Attachment of the motor gearbox is possible at the side or base.

The GW40 can optionally be fitted with a tube-bolt chain coupling set for 1" or 5/4" drive tubes. Electric motors with different voltages and/or frequencies, or a higher protection class, for instance tropic winding, are available on request.



The table below lists the article numbers for the GW40 motor gearboxes, depending on the drive tube and the chain coupling set, including the chain and the sprocket wheel joint, supplied as standard.

Description	230/400 Volt • 3~ • 50 Hz						Chain coupling			Article number
	T [Nm]	n [rpm]	P [kW]	I [A]	L [mm]	m [kg]	Db [-]	type -	z -	
GW40-1.3, 400V, 3~	400	1,3	0,25	1,4/0,8	220	28	1"	10B-2	16	P.GW40.400.13.K100
GW40-1.3, 400V, 3~	400	1,3	0,25	1,4/0,8	220	28	5/4"	10B-2	16	P.GW40.400.13.K125
GW40-1.3, 400V, 3~	400	1,3	0,25	1,4/0,8	220	28	2"	10B-2	16	P.GW40.400.13.K200
GW40-2.6, 400V, 3~	400	2,6	0,37	1,7/1,0	220	30	1"	10B-2	16	P.GW40.400.26.K100
GW40-2.6, 400V, 3~	400	2,6	0,37	1,7/1,0	220	30	5/4"	10B-2	16	P.GW40.400.26.K125
GW40-2.6, 400V, 3~	400	2,6	0,37	1,7/1,0	220	30	2"	10B-2	16	P.GW40.400.26.K200
GW40-5.2, 400V, 3~	400	5,2	0,55	2,8/1,6	220	30	1"	10B-2	16	P.GW40.400.52.K100
GW40-5.2, 400V, 3~	400	5,2	0,55	2,8/1,6	220	30	5/4"	10B-2	16	P.GW40.400.52.K125
GW40-5.2, 400V, 3~	400	5,2	0,55	2,8/1,6	220	30	2"	10B-2	16	P.GW40.400.52.K200

Description	230 Volt • 1~ • 50 Hz						Chain coupling			Article number
	T [Nm]	n [rpm]	P [kW]	I [A]	L [mm]	m [kg]	Db [-]	type -	z -	
GW40-1.3, 230V, 1~	400	1,3	0,37	3,2	220	28	1"	10B-2	16	P.GW40.230.13.K100
GW40-1.3, 230V, 1~	400	1,3	0,37	3,2	220	28	5/4"	10B-2	16	P.GW40.230.13.K125
GW40-1.3, 230V, 1~	400	1,3	0,37	3,2	220	28	2"	10B-2	16	P.GW40.230.13.K200
GW40-2.6, 230V, 1~	400	2,6	0,55	4,8	242	33	1"	10B-2	16	P.GW40.230.26.K100
GW40-2.6, 230V, 1~	400	2,6	0,55	4,8	242	33	5/4"	10B-2	16	P.GW40.230.26.K125
GW40-2.6, 230V, 1~	400	2,6	0,55	4,8	238	33	2"	10B-2	16	P.GW40.230.26.K200
GW40-5.2, 230V, 1~	400	5,2	0,75	6,0	242	34	1"	10B-2	16	P.GW40.230.52.K100
GW40-5.2, 230V, 1~	400	5,2	0,75	6,0	242	34	5/4"	10B-2	16	P.GW40.230.52.K125
GW40-5.2, 230V, 1~	400	5,2	0,75	6,0	242	34	2"	10B-2	16	P.GW40.230.52.K200

Description	277/480 Volt • 3~ • 60 Hz						Chain coupling			Article number
	T [Nm]	n [rpm]	P [kW]	I [A]	L [mm]	m [kg]	Db [-]	type -	z -	
GW40-1.3, 400V, 3~	400	1,6	0,3	1,4/0,8	220	28	1"	10B-2	16	P.GW40.400.13.K100
GW40-1.3, 400V, 3~	400	1,6	0,3	1,4/0,8	220	28	5/4"	10B-2	16	P.GW40.400.13.K125
GW40-1.3, 400V, 3~	400	1,6	0,3	1,4/0,8	220	28	2"	10B-2	16	P.GW40.400.13.K200
GW40-2.6, 400V, 3~	400	3,1	0,44	1,7/1,0	220	30	1"	10B-2	16	P.GW40.400.26.K100
GW40-2.6, 400V, 3~	400	3,1	0,44	1,7/1,0	220	30	5/4"	10B-2	16	P.GW40.400.26.K125
GW40-2.6, 400V, 3~	400	3,1	0,44	1,7/1,0	220	30	2"	10B-2	16	P.GW40.400.26.K200
GW40-5.2, 400V, 3~	400	6,3	0,65	2,8/1,6	220	30	1"	10B-2	16	P.GW40.400.52.K100
GW40-5.2, 400V, 3~	400	6,3	0,65	2,8/1,6	220	30	5/4"	10B-2	16	P.GW40.400.52.K125
GW40-5.2, 400V, 3~	400	6,3	0,65	2,8/1,6	220	30	2"	10B-2	16	P.GW40.400.52.K200